

KEY VOCABULARY

electricity

electricity is a **form of energy**; we can control it and use it

electrical current

the **flow of electricity**

electric shock

when **electricity flows through the human body causing a shock**; exposure to electrical energy can be dangerous, resulting in damage or death

circuit

a **path** which electricity flows around

battery

a **store of energy**, also known as a cell

light bulb

a component that **converts electrical energy to light energy**

switch

a component that **can open or close an electrical circuit**

wire

a **thin piece of metal covered in plastic** that conducts electricity

conductor

materials that **allow electricity to pass through** them are called conductors

insulator

materials that **do not allow electricity to pass through** are called insulators

battery



bulb



wire

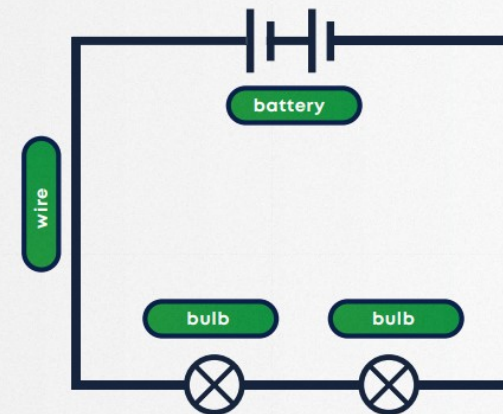


switch



electrical symbols

series circuit



a series circuit has one path for electricity to flow

AA battery

1.5 V (volts)



car battery

12 V (volts)



Granville T Woods (1856-1910)

an inventor and electrical engineer who worked on many inventions that made electrical railways safer and more efficient

